



# INSTRUCTIONS

-J03842

REV. 07-18-2005

Kit Number 68328-06

## SECURITY SYSTEM SMART SIREN II KIT FOR VRSC, 2002 AND LATER FL TOURING, 2003 AND LATER SOFTAIL, AND 2004 AND LATER DYNA MODELS

### General

This Security System Smart Siren II Kit is designed for installation on the following models, when equipped with a security system:

- All VRSC models,
- 2002 and later FL Touring models,
- 2003 and later Softail® models,
- 2004 and later Dyna models.

### WARNING

The rider's safety depends upon the correct installation of this kit. Use the appropriate service manual procedures. If the procedure is not within your capabilities or you do not have the correct tools, have a Harley-Davidson dealer perform the installation. Improper installation of this kit could result in death or serious injury. (00333a)

### NOTE

A Service Manual and an Electrical Diagnostic Manual for your model motorcycle is available from your Harley-Davidson Dealer.

See the Service Parts illustration for kit contents.

### NOTE

The siren may not function properly when first installed. NiMH (Nickel Metal Hydride) rechargeable batteries discharge fairly rapidly when stored. They will lose as much as 1% - 2% of charge per day, and after a few months of storage at room temperature will be mostly discharged. If stored for a very long period without charging, they may need a few charging cycles to regain their full capacity. To charge the NiMH battery, operate your motorcycle for a minimum of 4 hours.

### Installation: All VRSC Models

### WARNING

To prevent accidental vehicle start-up, which could cause death or serious injury, remove maxi-fuse before proceeding. (00251a)

1. Refer to the Owner's Manual and follow the instructions given to disarm the security system, remove the maxi-fuse and open the seat.
2. See Figure 1. Use a 10mm socket wrench to remove the splash guard (mud flap) nuts.
3. See Figure 2. Lower the mud flap from the installed position, and allow it to rest on the rear tire.

### WARNING

When servicing the fuel system, do not smoke or allow open flame or sparks in the vicinity. Gasoline is extremely flammable and highly explosive, which could result in death or serious injury. (00330a)

4. Remove the fuel cap and the fuel filler boot. Re-install the fuel cap

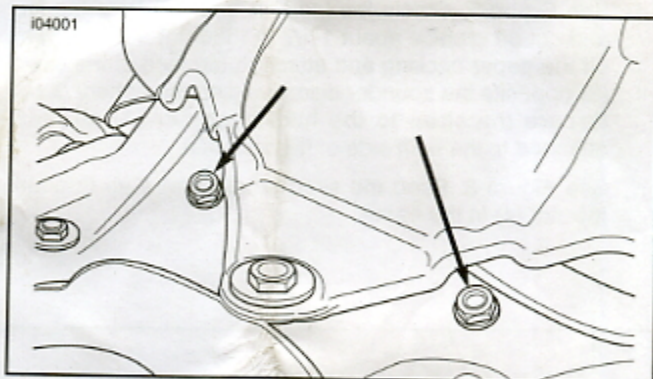


Figure 1. Remove Mud Flap Nuts (VRSC Models)

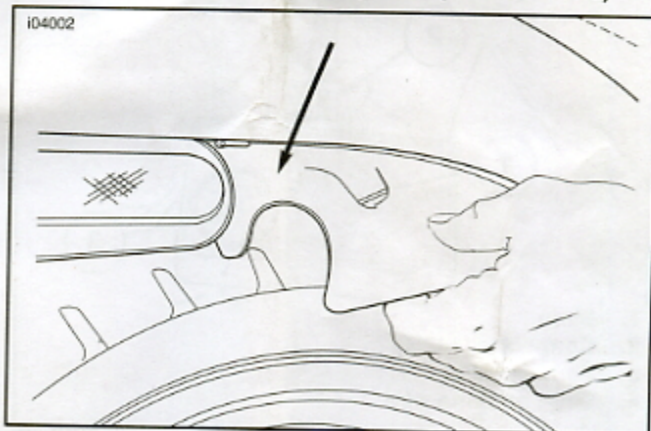


Figure 2. Lower the Mud Flap (VRSC Models)

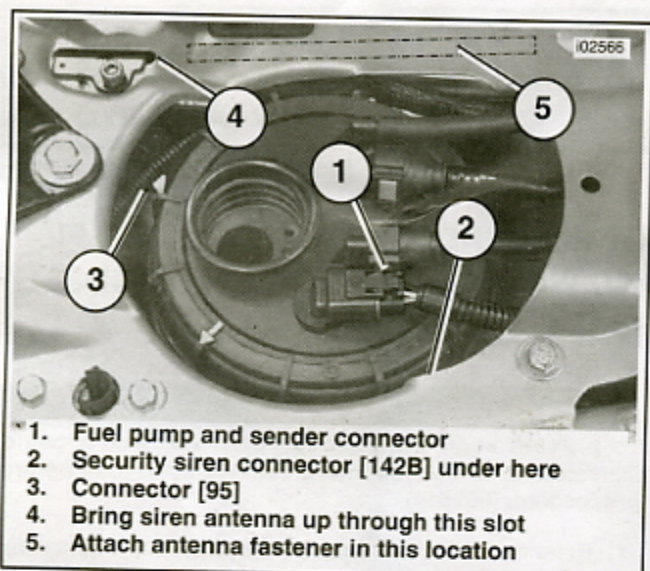


Figure 3. Locate Connector [142B] (VRSC Models) (Fuel Cap and Filler Boot Removed)

5. See Figure 3. Locate the security siren connector (2), at the end of the harness that wraps around the top of the fuel tank. This is a 3-wire connector, not to be confused with the 2-wire connector (3) tied to the harness (except California models). Disconnect the fuel pump and sender connector (1) to free the security siren connector. The protective cap and wire tie on the security siren connector can be discarded.

6. See Figure 4. Route the wiring harness out from under the right side of the fender. Obtain the siren (1) from the kit, and insert connector [142B] (2) into the siren receptacle until the connector latches securely.

7. See Figure 5. Obtain the loop fastener (2) from the kit, and cut off a piece about 1-1/2 in (38 mm) square. Peel off the paper backing and attach to the face of the siren (3) opposite the sounder disc, avoiding the battery door. Secure the siren to the hook fastener (1) already attached to the right side of the mud flap.

See Figure 3. Feed the siren antenna wire up through the slot (4) in the frame

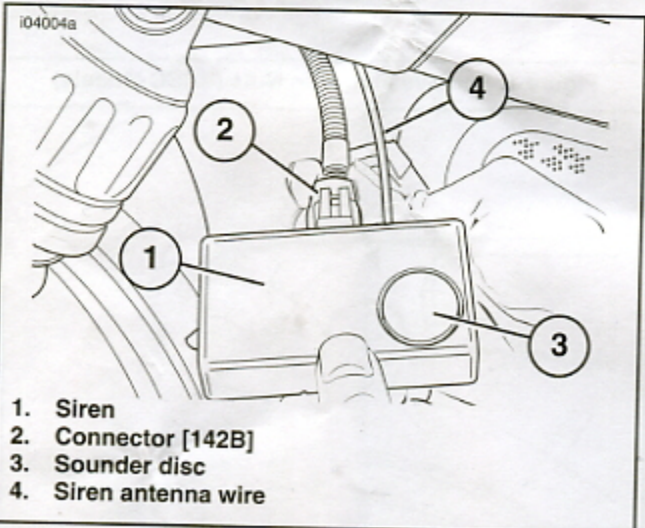


Figure 4. Install Siren Connector (VRSC Models)

8. Re-install the mud flap to the underside of the fender. Install and tighten the mud flap nuts to 8-12 Nm (70.8-106.2 in-lbs). Re-install the fuel filler boot.
9. Clean the area on the frame forward of the slot in Step 7, along the space to the left of the fuel filler boot with a mixture of 50 to 70% isopropyl alcohol and 30 to 50% water. Allow to dry thoroughly.
10. Obtain the 8-1/4 inch (210 mm) long hook-and-loop fasteners (4 and 5) from the kit, and separate the two halves. Peel the paper backing from the adhesive half of the fastener, and attach the fastener to the frame in the cleaned area.
11. Lay the siren antenna wire down the center of the installed fastener half, and straighten the antenna along the length of the fastener.

**NOTE**

*In order for the antenna to work properly, none of the small diameter portion should touch the metal parts of the vehicle.*

12. Install the remaining half of the fastener onto the first half, capturing the antenna wire to hold it firmly in place.
13. Refer to the Owner's Manual and follow the instructions given to close the seat.

**CAUTION**

**When closing the seat, make sure the ignition switch is in the FUEL position. If the ignition switch is in any other position when the seat is closed, the seat latch mechanism could be damaged. (00196a)**

**WARNING**

**After installing seat, pull upward on seat to be sure it is locked in position. While riding, a loose seat can shift causing loss of control, which could result in death or serious injury. (00070b)**

14. Install the maxi-fuse per the instructions in the Owner's Manual.

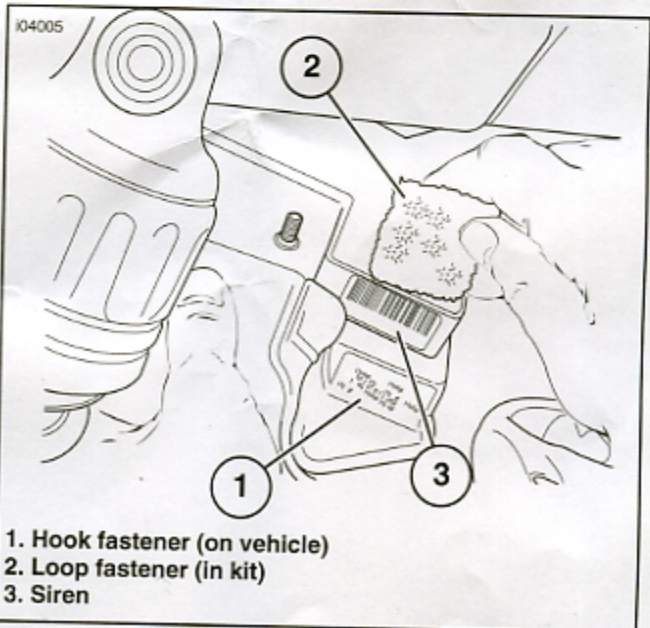


Figure 5. Secure Siren Box (VRSC Models)

## Installation: 2002 & Later FL Touring Models

1. For 2002-2003 models:

### **⚠ WARNING**

To prevent accidental vehicle start-up, which could cause death or serious injury, disconnect negative (-) battery cable before proceeding. (00048a)

Refer to the Owner's Manual and follow the instructions given to disarm the security system, remove the seat and disconnect the negative battery cable. Retain all seat mounting hardware.

For 2004 and later models:

### **⚠ WARNING**

To prevent accidental vehicle start-up, which could cause death or serious injury, remove maxi-fuse before proceeding. (00251a)

Refer to the Owner's Manual and follow the instructions given to disarm the security system and remove the maxi-fuse.

2. **All FL models:** Remove the right side saddlebag per the instructions in the Owner's Manual. Gently pull the side cover from the frame downtubes.
3. See Figure 6. Remove the two flange nuts (2) from the electrical bracket (1). Pull the bracket assembly, with the electronic control module (ECM) and connector attached, away from the side of the battery box.
4. Refer to Figure 7. Remove the siren harness lead from the back of the electrical bracket, and take the protective cap off of the security siren connector [142B].
5. See Figure 8. Obtain the siren box from the kit, and insert connector [142B] into the siren box receptacle until the connector latches securely.
6. See Figure 9. Slide the siren (2) into place on the back of the electrical bracket (1) so the sounder disc faces outward.
7. Feed the siren antenna wire rearward under the siren, out the back of the electrical bracket.

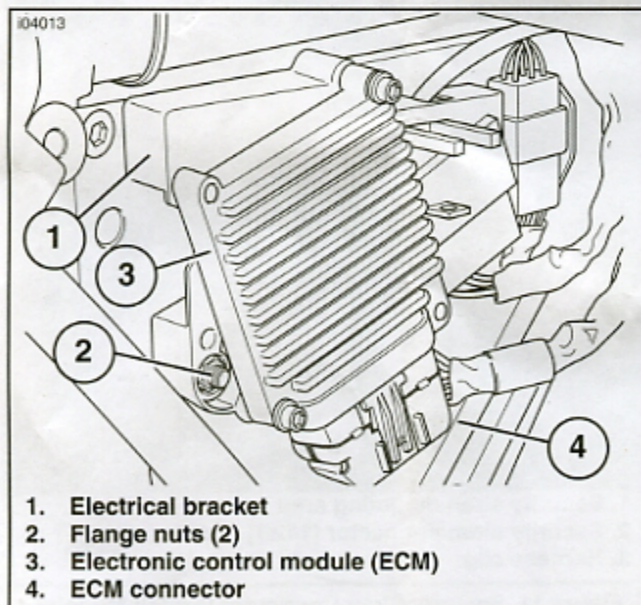


Figure 6. Electrical Bracket (Touring Models)

### NOTE

Be sure that the cables and conduit are properly routed so they are not pinched during assembly.

8. Install the electrical bracket assembly with the siren back onto the studs on the side of the battery box. Install the two flange nuts onto the studs, and tighten to 36-48 in-lbs (4.1-5.4 Nm).

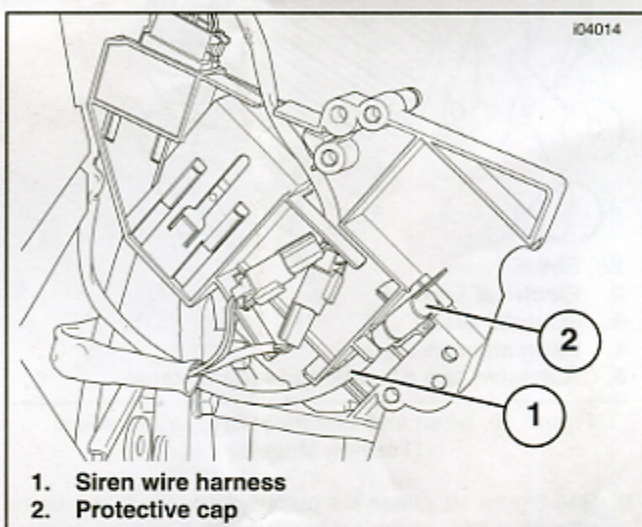


Figure 7. Siren Wire Harness (Touring Models)

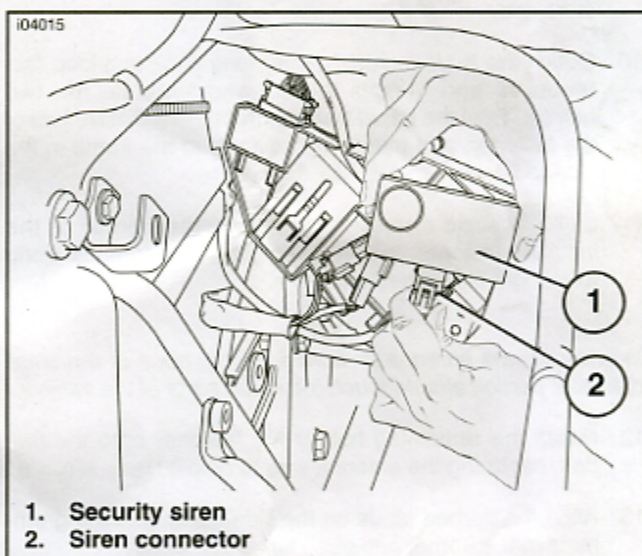


Figure 8. Insert Siren Connector (Touring Models)

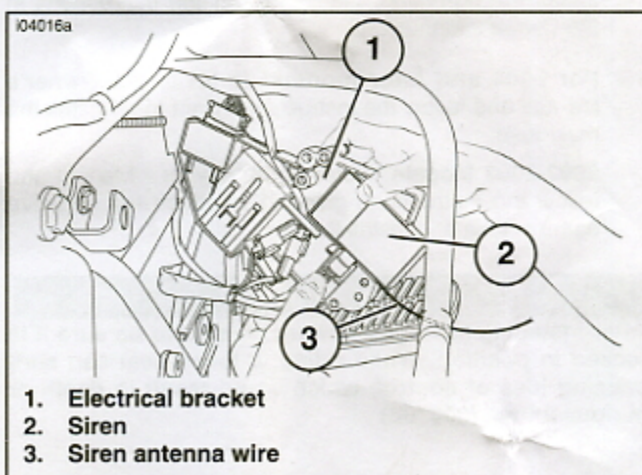


Figure 9. Slide Siren into Place (Touring Models)

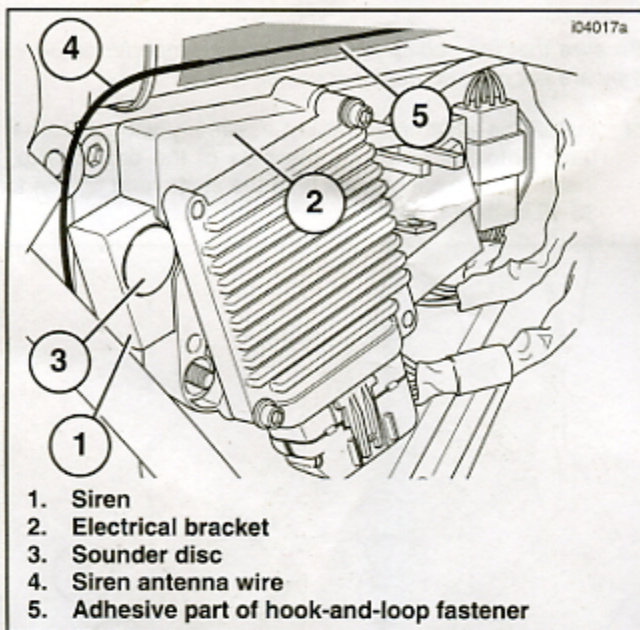


Figure 10. Siren and Electrical Bracket Installed (Touring Models)

9. See Figure 10. Clean the outboard surface of the frame tube above the electrical bracket with a mixture of 50 to 70% isopropyl alcohol and 30 to 50% water. Allow to dry thoroughly.
10. Obtain the 8-1/4 inch (210 mm) long hook-and-loop fasteners (4 and 5) from the kit, and separate the two halves. Peel the paper backing from the adhesive half of the fastener, and attach the fastener to the frame in the cleaned area.
11. Lay the siren antenna wire down the center of the installed fastener half, and straighten the antenna along the length of the fastener.

**NOTE**

*In order for the antenna to work properly, none of the small diameter portion should touch the metal parts of the vehicle.*

12. Install the remaining half of the fastener onto the first half, capturing the antenna wire to hold it firmly in place.
13. Align the barbed studs on the side cover with the grommets in the frame, and push firmly into place.
14. Install the right-side saddlebag per the instructions in the Owner's Manual.
15. **For 2004 and later models:** Refer to the Owner's Manual and follow the instructions given to re-install the maxi-fuse.  
**2002-2003 Models:** Refer to the Owner's Manual and follow the instructions given to re-attach the negative battery cable and install the seat.

**WARNING**

After installing seat, pull upward on seat to be sure it is locked in position. While riding, a loose seat can shift causing loss of control, which could result in death or serious injury. (00070b)

**Installation: 2003 and Later Softail Models**

**WARNING**

To prevent accidental vehicle start-up, which could cause death or serious injury, disconnect negative (-) battery cable before proceeding. (00048a)

1. Refer to the Owner's Manual and follow the instructions given to disarm the security system, remove the seat and disconnect the negative battery cable. Retain all seat mounting hardware.
2. Remove the right side saddlebag (on models so equipped) per the instructions in the Owner's Manual.

**NOTE**

*The security siren connector is installed on an electrical panel under the rear fender on all Softail models. The rear of the motorcycle may have to be raised slightly to allow removal of the splash guard.*

3. Remove the two bolts at the bottom of the splash guard. Bend the upper right corner of the splash guard toward the rear tire and lift upward to unhook the splash guard from the tab on the rear fork. Remove the guard from beneath the fender.
4. See Figure 11. Remove the security siren connector [142B] (2) from the receptacle in the siren mounting area (1) of the electrical panel.
5. Obtain the siren box from the kit, and insert connector [142B] into the siren box receptacle until the connector latches securely.

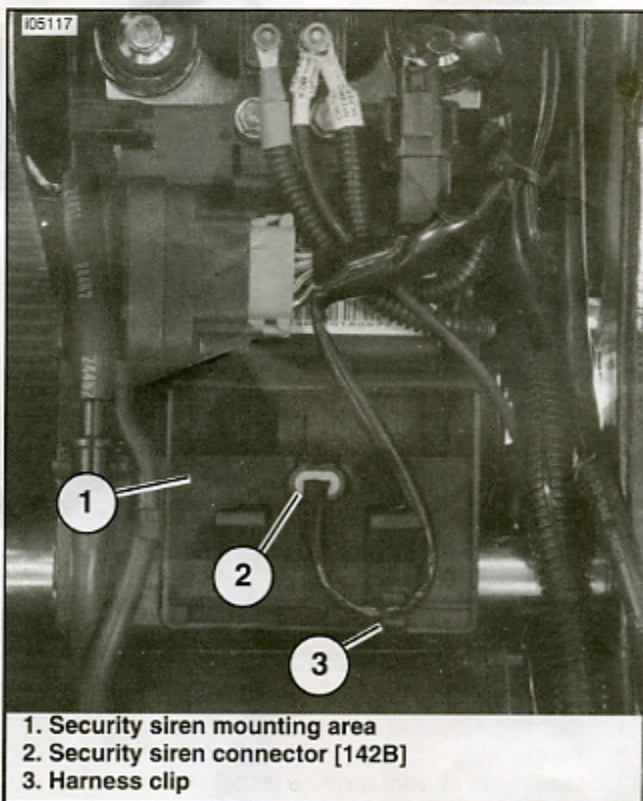
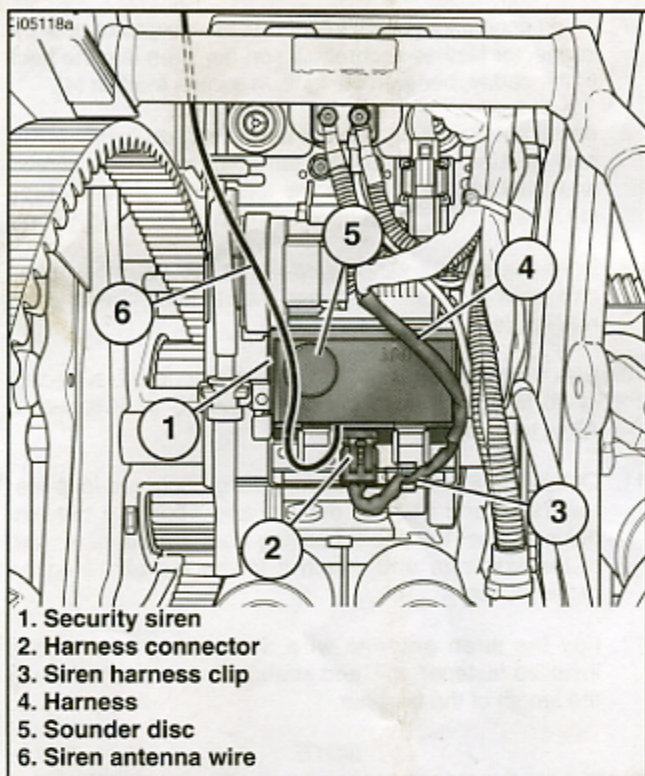


Figure 11. Security Siren Connector (Softail Models) (Rear Fender View with Rear Wheel Removed)



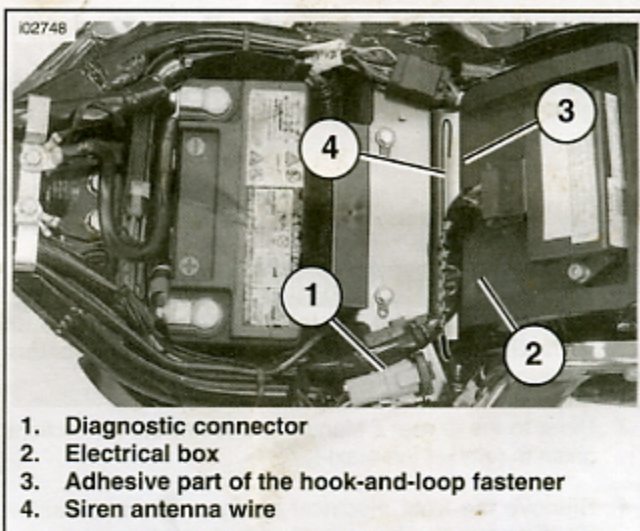
**Figure 12. Security Siren Mounting (Softail Models)**

6. See Figure 12. Orient the siren (1) as shown, with the harness connector (2) toward the bottom and the sounder disc (5) facing outward. Route the siren antenna wire (6) upward in front of the siren, forward of the upper rear-fork tube, and through the opening in the upper left of the rear fender. Carefully snap the siren into the electrical panel.
7. Insert the harness (4) into the harness clip (3) to keep the harness clear of other components.
8. If necessary, obtain a cable strap (not provided) and secure the connector wiring to the the electrical panel wiring.
9. See Figure 13. Gently pull the siren antenna wire up through the fender opening, and lay it across the concave surface at the base of the electrical box. Observe where the small-diameter portion of the wire begins, and where that point falls on the electrical box.

**NOTE**

*The hook-and-loop fastener may need to extend slightly into the fender opening to ensure that the entire small-diameter portion of the antenna is protected from metal contact.*

10. Clean the concave surface at the base of the electrical box with a mixture of 50 to 70% isopropyl alcohol and 30 to 50% water. Allow to dry thoroughly.



**Figure 13. Siren Antenna Mounting (Softail Models)**

11. Obtain the 8-1/4 inch (210 mm) long hook-and-loop fasteners (4 and 5) from the kit, and separate the two halves. Peel the paper backing from the adhesive half of the fastener, and attach the fastener to the cleaned area of the electrical box, allowing it to extend as needed into the fender opening.
12. Lay the siren antenna wire down the center of the installed fastener half, and straighten the antenna along the length of the fastener. The end of the antenna can be turned back as shown to ensure no metal contact.

**NOTE**

*In order for the antenna to work properly, none of the small diameter portion should touch the metal parts of the vehicle.*

13. Install the remaining half of the fastener onto the first half, capturing the antenna wire to hold it firmly in place.
14. Hook the slot at the top of the splash guard over the tab on the rear fork, and install the guard with the two screws removed earlier. Tighten securely.
15. Install the right-side saddlebag (if so equipped) per the instructions in the Owner's Manual.
16. Refer to the Owner's Manual and follow the instructions given to re-attach the negative battery cable and install the seat.

**WARNING**

**After installing seat, pull upward on seat to be sure it is locked in position. While riding, a loose seat can shift causing loss of control, which could result in death or serious injury. (00070b)**

## Installation: 2004 and Later Dyna Models

1. Refer to the Owner's Manual and follow the instructions given to disarm the security system and remove the seat.
2. See Figure 14. Firmly grasp both sides of the electrical caddy cover (1), and pull outward to remove.

### **WARNING**

To prevent accidental vehicle start-up, which could cause death or serious injury, remove maxi-fuse before proceeding. (00251a)

3. Refer to the Owner's Manual and follow the instructions given to remove the maxi-fuse.
4. Remove the front electrical caddy screw and washer (2). Remove the two top electrical caddy screws and washers (7).

### NOTE

When pulling the electrical caddy away from the motorcycle, make sure that the wiring connections are not disturbed. Pull the caddy away just far enough to allow installing the siren.

5. Obtain the siren (5) from the kit. Tip the top of the electrical caddy (3) away from the vehicle slightly. Turn the siren so the sounder (6) disc faces upward and the wire receptacle is facing the motorcycle as shown.
6. Remove the siren harness lead (taped to the vehicle frame behind the electrical caddy), and take the black dust cap off of the security siren connector [142B].

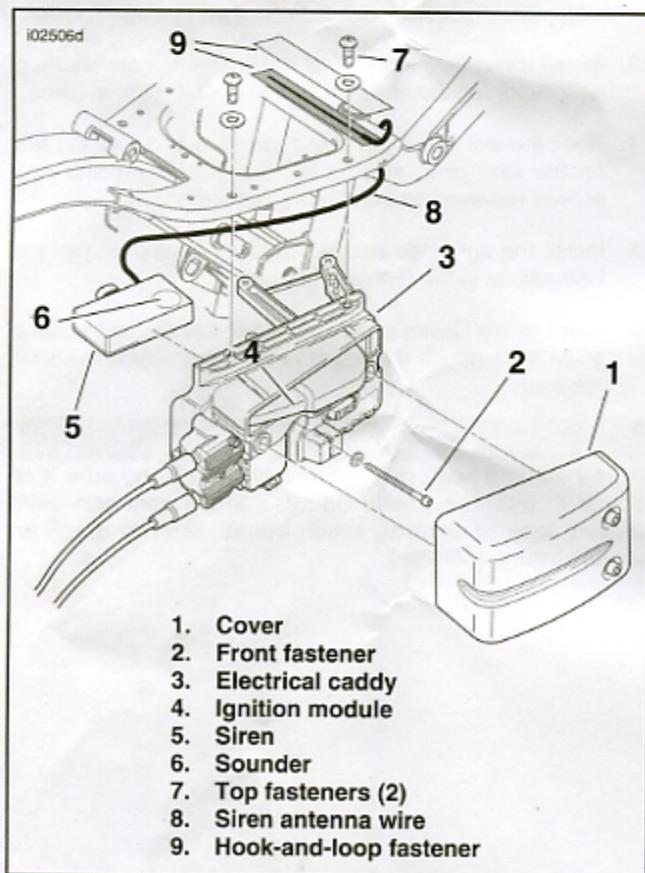


Figure 14. Install Siren in Electrical Caddy (Dyna Models)

7. Insert connector [142B] into the siren receptacle until the connector latches securely. Insert the siren into the back of the caddy, beneath the ignition control module (4).
8. Install but do not tighten the front electrical caddy screw and washer (2). Install the top electrical caddy screws and washers (7). Tighten the top screws to 100 in-lbs (11.3 Nm). Tighten the front screw to 50 in-lbs (5.6 Nm).
9. Feed the siren antenna wire under the rearmost frame crossmember and up between the crossmember and the rear fender.
10. Clean the top surface of the crossmember with a mixture of 50 to 70% isopropyl alcohol and 30 to 50% water. Allow to dry thoroughly.
11. Obtain the 8-1/4 inch (210 mm) long hook-and-loop fasteners (4 and 5) from the kit, and separate the two halves. Peel the paper backing from the adhesive half of the fastener, and attach it to the top of the frame crossmember.
12. Lay the siren antenna wire down the center of the installed fastener half, and straighten the antenna along the length of the fastener.

### NOTE

In order for the antenna to work properly, none of the small diameter portion should touch the metal parts of the vehicle.

13. Install the remaining half of the fastener onto the first half, capturing the antenna wire to hold it firmly in place.
14. Refer to the Owner's Manual and follow the instructions given to re-install the seat.

### **WARNING**

After installing seat, pull upward on seat to be sure it is locked in position. While riding, a loose seat can shift causing loss of control, which could result in death or serious injury. (00070b)

15. Install the maxi-fuse, and the electrical caddy cover.

## Battery Replacement

The siren's internal 9 volt battery is rechargeable and does not need to be replaced on a regular basis. Battery life under normal conditions is approximately three to six years.

### NOTE

The internal siren battery may not charge if the vehicle's charging system is producing less than 12.5 volts.

### NOTE

Only a nickel metal hydride (NiMH) nine-volt battery should be used in the siren.

When battery replacement is needed, use Security System Siren Battery Replacement Kit (H-D Part Number 69018-00). In addition to the 9-volt NiMH battery, this kit contains a replacement battery cover, seal, foam pad and instructions needed to ensure continued proper operation of the siren.



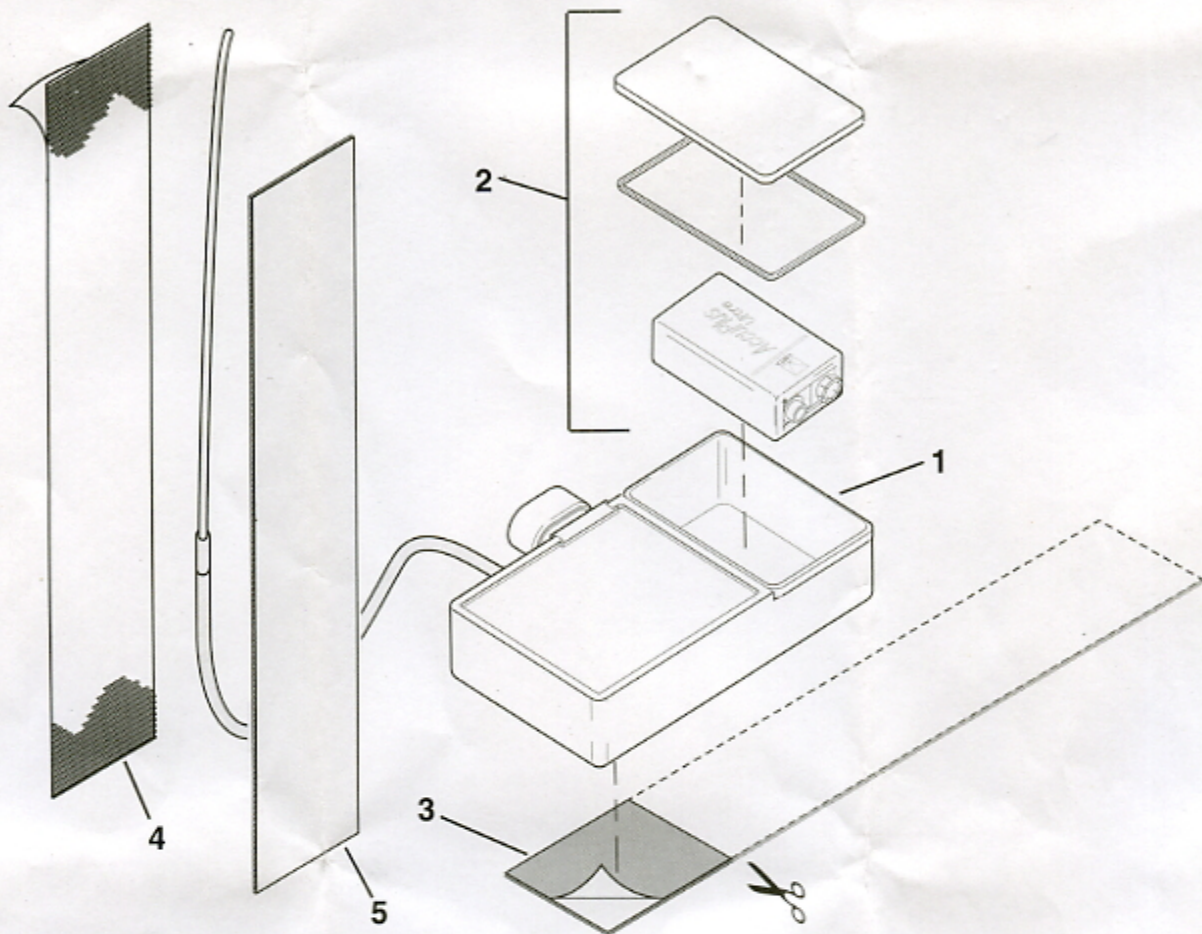
# Service Parts

Part Number 68328-06

Date 07/05

Security System Smart Siren II Kit

105119b



| Item | Description  | Part Number |
|------|--|-------------|
| 1    | Smart Siren II, security system  | 68970-06    |
| 2    | Battery Replacement Kit  | 69018-00    |
| 3    | Loop fastener, adhesive-backed,<br>8-1/4 in. x 1-1/2 in. (210 x 38 mm) long (cut to fit) | 11776       |
| 4    | Hook fastener, adhesive-backed,<br>8-1/4 in. x 1-1/2 in. (210 x 38 mm) long              | 11775       |
| 5    | Loop fastener, plain-backed,<br>8-1/4 in. x 1-1/2 in. (210 x 38 mm) long                 | 59274-01    |